

DWSales Corporation

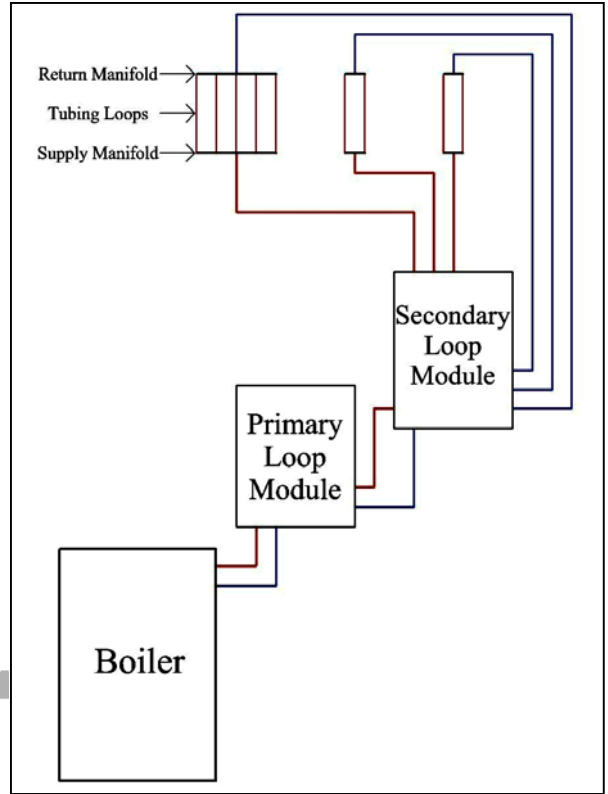
Providing Radiant Heat and Solar Thermal Systems

PRE-ENGINEERED MECHANICAL SYSTEM

Never before has installing a hydronic heating system been this simple and effortless.

Our pre-engineered mechanical system is designed around our time proven experience in hydronic heating. Our experts have created a system that combines all of the needs of a hydronic heating system into two units, the Primary Loop Module and the Secondary Loop Module.

DW Sales strives to make infloor radiant heating affordable and available to all levels of customers. From heating contractors to homeowners, DW Sales works to provide the best service and product available.



The DW Sales Pre-Engineered piping system effectively reduces the entire mechanical system into three components, the heat source, the Primary Loop Module and the Secondary Loop Module.

Why It Works?

Our pre-engineered mechanical system comes assembled to the specifications for your project. Our representatives will work with you to design a system for your specific project, taking into account many variables that are often overlooked. Our technicians have over forty years of experience in the hydronics industry and are available for technical assistance to any of our customers.

DW Sales Corporation

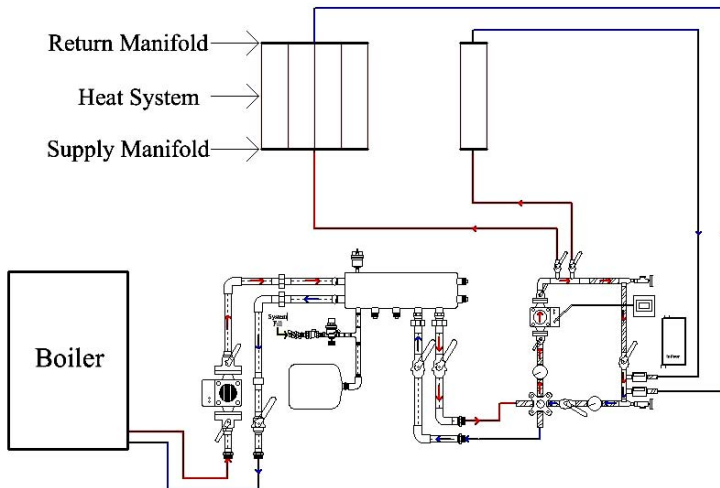
503 Gregg Drive
 PO Box 4945
 Buena Vista, CO 81211
 Phone: 800-615-6901
 Fax: 719-395-0887



The Primary Loop Module serves the heat source and also serves as the distribution center to each heat need, such as domestic hot water and in-floor heat.

www.radiantright.com

Each system is accompanied by a design schematic and installation instructions. Additionally, technical support is available to all customers through phone and email.



DW Sales Corporation

503 Gregg Drive
 PO Box 4945
 Buena Vista, CO 81211
 Phone: 800-615-6901
 Fax: 719-395-0887

Why our system?

- Each system is designed to meet the specific needs of the customer. Our personnel work with the customer to ensure that all needs are met and that all options are explored.
- With the DW Sales pre-assembled mechanical system, all engineering and design is completed before the product arrives on your job site. Minimal assembly is required, significantly decreasing the amount of time needed to install the system. This allows even a skilled homeowner to install the entire system while being confident that the system is assembled correctly.
- At times when licensed heating contractors are either desired or required for installation, our design will minimize labor costs and guarantee that your system will be set up correctly.

The Secondary Loop Module serves to disperse hot water to each independently controlled zone of heating. There are two types of Secondary Loop Module, each for a different type of heat source.

